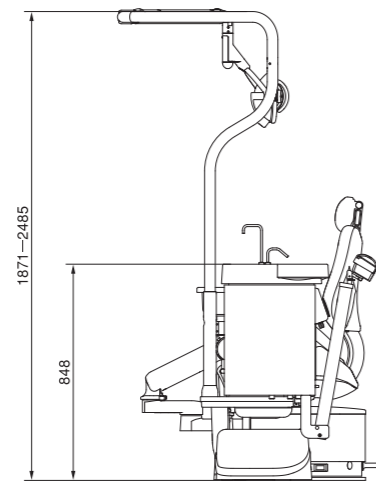
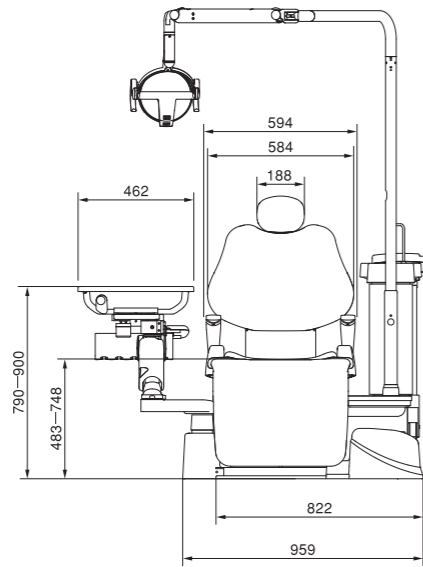
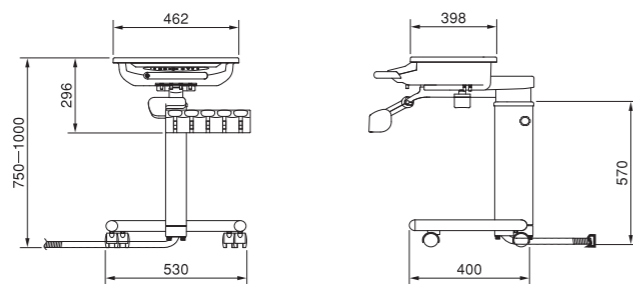


Dimensions (scale 1/30)

Base Mount Type



Cart Type



size (mm)

The manufacturer reserves the right to alter specifications with or without prior notice.
The handpieces depicted throughout this brochure are not necessarily included.



Takara Belmont Corporation
2-1-1, Higashishinsaibashi, Chuo-ku, Osaka, 542-0083, Japan
TEL : 81-6-6213-5945 / FAX : 81-6-6212-3680



SP
CLEO II
DENTAL SYSTEM



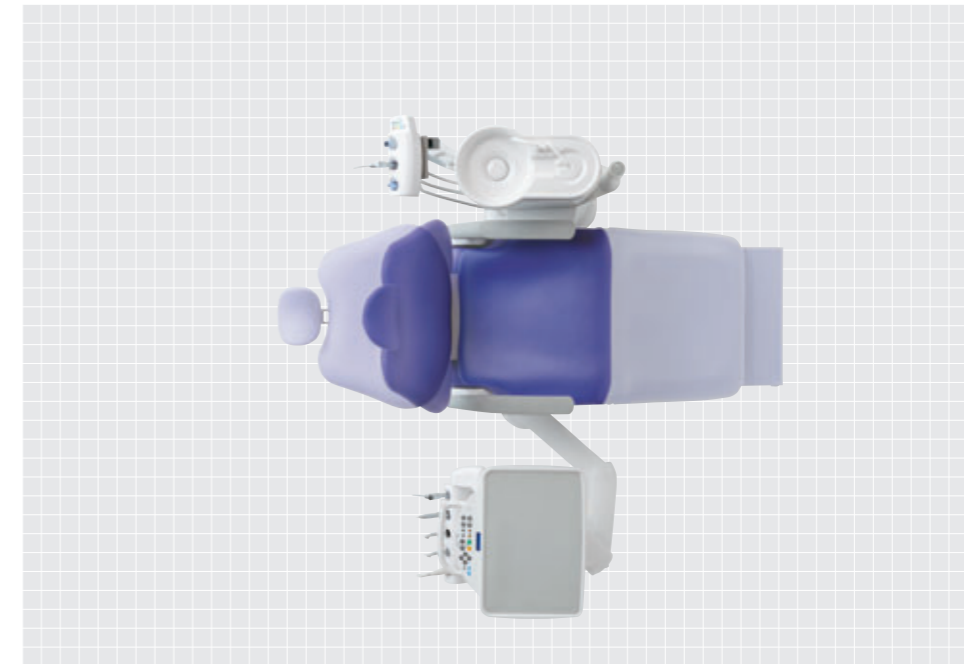
The Evolution of Clean

The SP-CLEO II is the second generation of our internationally acclaimed SP-CLEO series, a moniker for “Super Clean Operation.”

With its folding legrest chair and ultra-maneuverable doctor table and cuspidor, the SP-CLEO II was designed for an eclectic mix of treatments and for installation in the most spatially challenged locations with nary a compromise to usability or functionality. Of course, included is peace of mind, like any other Belmont product. Reliability, durability, and ease of use form the basis of our lineup.



Base Mount Type



Compact

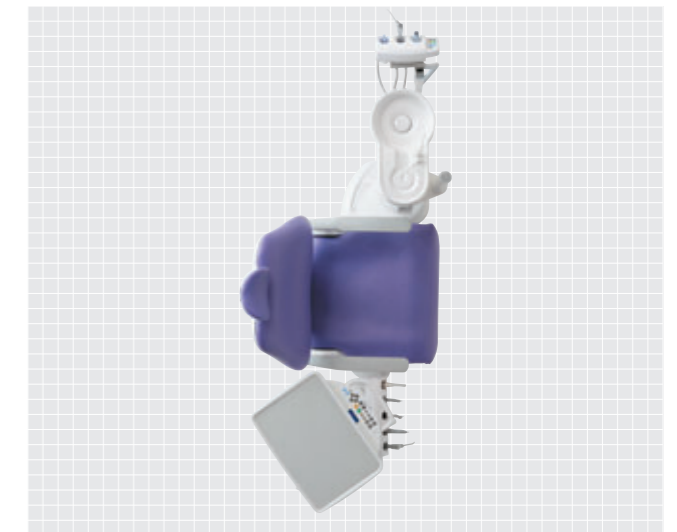
Owing to the folding legrest, in lieu of a counter type seat, and the base mounted doctor table, the overall length is significantly shorter than comparable units. This type of chair is comfortable for anyone who is used to a conventional chair, and sitting down and getting up is easier for children, the elderly, and those with limited mobility, as it can be accessed either from the side, as with a counter type seat, or directly from the front. The doctor table is not over the patient, which encloses individuals to the point where they may feel uncomfortable, apprehensive, and trapped in. The thoughtful design of the SP-CLEO II allows it to fit in a variety of layouts of dental clinics and offices.



Highly Controllable Doctor Table

Along with compactness is accessibility. The doctor table is highly adjustable and conducive to operation anywhere from 9 o'clock to 2 o'clock.

The doctor table can be moved behind the chair, which facilitates straightforward and effortless transfer of instruments from a storage area to the doctor table. This positioning also has the side benefit of hiding frightening handpieces from the patients when arriving.



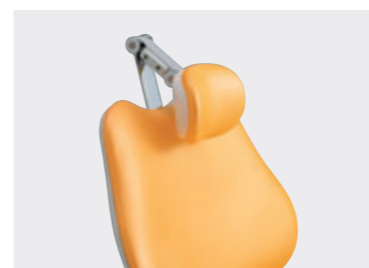
Multiple Types of Treatment

The cuspidor itself also swivels, making ample room for the doctor to stand at a 3 to 4 o'clock position, and allowing oral surgery and any other procedure that requires close proximity to the left side of the patient, such as tooth extraction. The doctor table also swivels to face forward, which along with the folding legrest chair makes it possible for face to face treatment, with access to instruments, at the 6 o'clock position.

This vast, versatile range of available methods of treatment was previously unheard of. Crafted from stainless steel, the cuspidor unit is durable and impervious to cracking. The swiveling cuspidor action allows easy access for maintenance and cleaning.

Indulging in Patient and Doctor Comfort

The SP-CLEO II is equipped with a folding legrest, so children and the elderly can get on and off with ease. Contributing to informed consent, the style of chair is comparable to a conventional chair, which is a more natural way of sitting, conversing, and consulting with the doctor. The movement of the backrest is synchronized with the seat, which equates to smooth, fluid positioning.



Twin Axis Headrest

Standard is a double articulating headrest, with an elongated post for taller patients. Flexible adjustments can be attributed to the twin axis system, which can be diversely positioned, downwards to comfortably seat children and the elderly, to backwards, for patients in wheelchairs.



Rollup Legrest

The rollup legrest extension was ingeniously designed to keep leg fatigue at bay and to keep a patient's shoes on; the vinyl leather rolls up from the underside. A clear, user replaceable plastic covering keeps the vinyl leather looking new and fresh, even after years of satisfied use.

Accidents are averted with a safety switch that stops the legrest from descending when hitting a foreign object, which prevents damage to the chair, and more importantly, injury to the patient, assistant, or doctor.



Armrests

Right and left armrests come standard, and the right can be rotated out of the way, which is accommodating to patients who have limited mobility, such as those in wheelchairs.



Practicality

The low initial height of the chair makes it possible for the patient to sit with his or her feet flat on the floor, which is more pleasant than having feet dangle.

The chair is capable of a 265mm stroke; practically speaking, treatment can be performed from a relatively low position (sitting), or from a higher plane (standing). A forte of Belmont's is movement smooth enough that patients will not detect movement with their eyes closed.



Seamless Upholstery

Seamless upholstery, which is easy to clean and stays clean, is standard, and available in many different colors which is sure to match the décor of dental clinics and offices worldwide.

The extension of the rollup legrest automatically adjusts relative to the angle of the backrest, providing the optimal seating position.

Base Cover and Chair Control Switch

Flat, steel enclosures are sleek and simple to clean, saving precious time.

Two foot switches are standard, which help keep hands sterile; one for automatic positioning of the chair through presets, and the other a manual type for minute adjustments.



Clean

For a practice as important as yours, cleanliness is paramount and a given.

The hygienic design of the cuspidor promotes everyday cleaning, benefiting both doctor and patient.



Cart Type



Cuspidor Rotation

The cuspidor rotates outwards 90°, making it possible for the doctor to stand at the 3 or 4 o'clock position, which gives wide berth to a range of treatments.



Porcelain Cuspidor

The porcelain cuspidor is rugged and can withstand years of use without chipping, cracking, or discoloration. The nozzles for the cup filler and bowl flush are detachable for simplified maintenance and cleanliness.



Holder Type

The standard configuration of instrumentation is a holder type, with a place for four handpieces. A fifth handpiece can be mounted as an option. The height and vertical orientation can be set to the doctor's preferences by a technician, and swivels side to side at whim.



Place Type

In lieu of the holder type, a place type is available. As with the holder type, the rotation angle is set according to doctor preference, and the handpiece holder swivels freely.

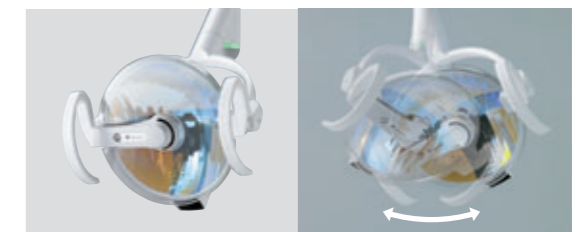
Assistant's Holder

The assistant's handpieces are mounted on a balance arm that remains in any desired position, as the arm moves vertically, outwards laterally 90°, and the head swivels inwards 90°. Switches for chair control, cup filler, and bowl flush are conveniently located next to the handpieces, instead of out of the way on the cuspidor.



Dental Light

Standard is the 701 light, which features a 4,200K color temperature at 28,000 lux. The 701 offers two additional brightness levels: 18,000 lux and a "composite safe" 8,000 lux. Optional are detachable, autoclavable handles and a mirror.



IO5000 TA

Three axis rotation



Control Panel (E-Type)

There are two varieties of the SP-CLEO II, one electric, the other air. The electric type comes with a LED display for displaying and changing settings, such as micromotor speeds and timer.



Control Panel (A-Type)

The air type SP-CLEO II also comes with a full featured doctor table, with membrane switches that are easy to clean.

Optional



Intra oral film viewer



Panoramic film viewer

Film Viewer

Panoramic and intra oral size film viewers are optional.

Optional Dental Lights

Two other lights are offered, the IO5000, with natural daylight 5,000K color temperature at 28,000 lux, and additionally, 22,000 lux and 15,000 lux brightness levels.



IO5000

The IO5000TA also offers a 5,000K color temperature at 28,000 lux, plus a medium brightness level of 22,000 lux, and a composite safe 8,000 lux, along with a three axis rotation system, which allow the light head to move up/down, side to side, and rotate around.