

CHIRANA Medical, a. s.

Námestie Dr. A. Schweitzera 194
916 01 Stará Turá
Slovak Republic

tel.: +421 (32) 775 2257
fax: +421 (32) 775 2218
e-mail: medical@chirana.eu

www.chirana.eu

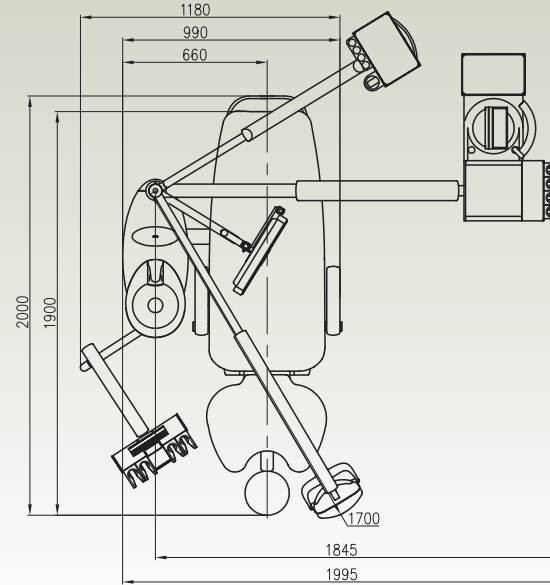
Registered trade marks:

Chirana CHEESE®

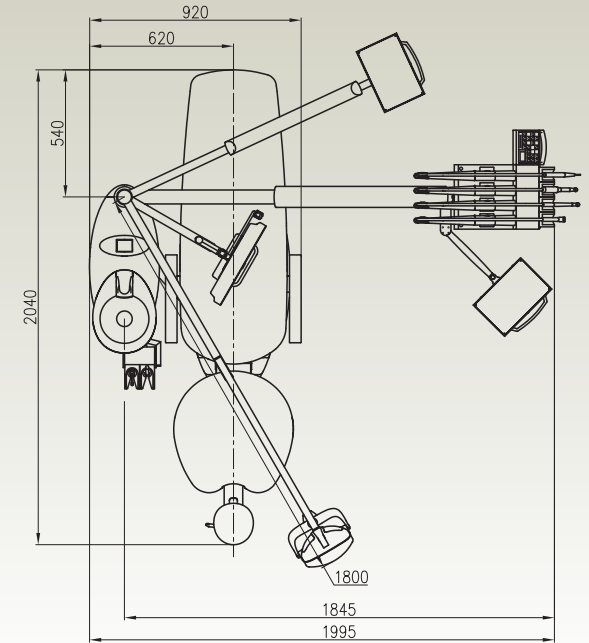


Chirana-inox

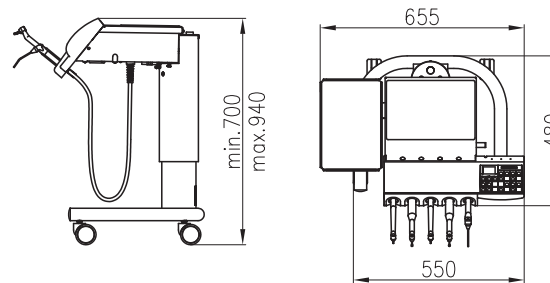
Chirana



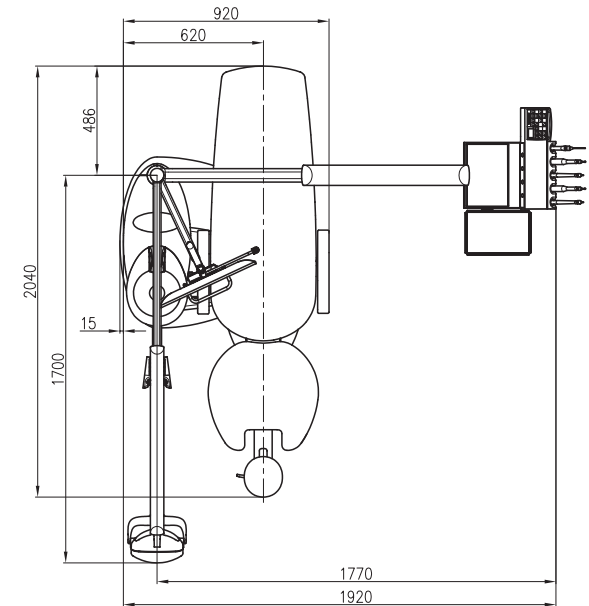
Chirana CHEESE



Chirana CHEESE E



"cart" dentist table



Chirana CHEESE L



*Say
"Cheese!"*

Chirana CHEESE®



Manufacturing company CHIRANA Medical, a.s. Stara Tura is part of a group M.O.C. Stara Tura. Parent company M.O.C. Ltd was founded in 2001 as a project of preserving and further development of manufacturing medical devices CHIRANA in Stará Turá.

Basic overview of historical milestones in tradition of engineering production and growth of CHIRANA trademark in Stará Turá is as follows:

1935 - foundations of engineering production in Stará Turá were set by Czech engineer František. Michera. New production plant, focused on the manufacture of components production for water meters and gas meters, was built.

1947 - production of injection technique was delimited to Stará Turá production plant from liquidated plant Injecta Kraslice near Czech borderland. The product range was soon expanded to wide spectrum of products such as sterilization, inhalation and investigative technique, surgical instruments and other products of medical devices.

1958 - under the name Presná mechanika - PREMA Stara Tura plant has achieved one of the first international successes on the world exhibition EXPO in Brussels, where the world novelty was awarded with a Grand Prix prize - great bronchoscopic set produced in Stará Turá.

1963 - mergence of all manufacturers of medical devices in a single production and economic unit in Stará Turá. Presná mechanika in Stará Turá thus became leading national production plant with associated national plants CHIRANA Prague and CHIRANA Brno.

1965 - producers of medical devices were integrated into one legal entity which was given name Chirana medical device plants, union trade Stara Tura.

1967 - in III quarter of 1976 was made in Stará Turá first production series of dental units under the trademark CHIRADENT.

1968 - dynamic growth was noted down also by breathing and anaesthetic techniques.

1988 - production program is expanding into the new field of dental equipment – dental instruments (initially on the basis of production licence with German company KaVo and later replaced by our own product line) .

1991 - transformation from state-owned enterprise to incorporated company took place and process of privatization and division of company into several separate business units was commenced.

2002 - M.O.C becomes exclusive owner of the international and national trademarks CHIRANA™.

During the 45- years old history in Stará Turá under the trademark Chirana, were made almost 100 thousand pieces of dental units (ERGOSTAR, PRAKTIK, SMILE a Chirana CHEESE). Until 2012 almost 75 thousand units of anaesthetic and breathing devices in total were entirely made in Stara Tura under the trademark Chirana.





Chirana CHEESE®

Chirana CHEESE

EXCLUSIVE solution for you! Comfort, reliability, ergonomics.

Chirana CHEESE treatment unit enables free choice of equipment and parameters. You can „create“ own concept. Chirana CHEESE is a modular and configurable concept - you can expand your equipment step by step and change colour parts directly in your practice.

This treatment unit is usable only with patient chair SK1-08. Chirana CHEESE is deliverable also in version for lefthanded dentists.







Chirana CHEESE

Chirana CHEESE





Dentist table

Chirana CHEESE allows you to choose 2 versions of dentist table: 4N with space for 1 - 4 dental instruments, or 6N - space for 1-6 dental instruments. Both versions enable traditional system (hanging instruments tubes) and

continental system (whips) with adjustable angle of holders/ beds.

Modular concept enables your technician to expand dentist table 4N to 6N and rebuild aluminium dentist table from traditional system to continental and contrariwise right in your practice.

Both versions of dentist tables have 2 possibilities of control panels: central control panel including tray table and more simple - side control panel.

You can control the unit by foil keyboard with display, or by chromatic touch screen.

Basic functions



Basic functions:

- functions and parameters programmable for two users
- instruments cooling switch on/off
- regulation of instruments operating speed and power
- two switching modes of regulation (operating speed and power): manual or by foot control
- displaying of instruments operating speed and power
- CHIP-BLOWING function with adjustable volume independently for each instrument, automatic or manual control
- reverse of micromotors operating speed
- electronic controlled Giromatic function without need to use any special handpiece
- adjustment of torque of micromotor (on touch screen) with „Autostop“ function
- Apex-locator displaying on touch screen (in case of buying this option)

- instruments lighting switch on/off
- adjustment of length of light decay (up to 60 sec) after work completion with light instrument
- regulation of light intensity (for instruments)
- disinfection of instruments tubes switch on/off
- adjustment of time for cup filling and bowl rinsing
- operational light and x-ray viewer switch on/off
- control of chair including programming
- stopping of chair movement by „STOP“ button
- adjustable cooling water (quantity) separately for each instrument from control panel
- light and acoustic indication of necessity for instruments treatment (by lubrication)
- integrated non-return valves
- blocking of patient chair movement when dental instrument is activated

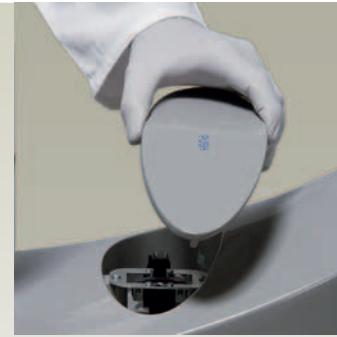
- optical sensors inside instruments holders for precise recognition of chosen instrument from the holder
- LED instruments applicable
- instruments tubes are connected to dentist table by connectors
- vertical fixation of dentist table by mechanical blocking screw, or by automatic brake - sensor in handle.

Applicable dental instruments:

- 3 and 6 - functional syringes - Chirana and Luzzani
- MIDWEST turbines (with light and without light)
- micromotors: with light, without light, brush-less - Chirana, Bien Air, NSK
- ultrasonic scalers - EMS, NSK, Chirana LM, Satelec
- curing light Mectron
- intraoral camera Chirana

Spittoon block

- pivoted ceramic bowl (towards to the patient), detachable and sterilisable
- central suction system (dry and wet): ejector system, separative automatics Cattani and Dürr CS1 + (scavenging unit), amalgam separator Metasys Compact Dynamic and Dürr CAS1 + (scavenging unit), wet suction Dürr MSBV
- system of quick detachable covers of spittoon block
- bottles of clean water and disinfection solution built inside the spittoon
- light and acoustic indication of clean water and disinfection solution levels
- automatic adjustment of bowl rinsing
- optionally equipment of spittoon block:
 - disinfection system for instruments tubes
 - clean water system (bottle of clean water)
 - switching valve for water supply – public water or bottle water
 - water heating
 - system of continual disinfection of water ways - Metasys WEK





Hygiene

All parts of this treatment unit, including patient chair, are designed considering the most demanding hygienic requirements for cleaning and disinfection.

- instruments tubes with connectors and detachable assistant instruments and suction hoses = easy cleaning and disinfection
- thermodisinfectable instrument holders and beds from dentist and assistant tables
- detachable ceramic bowl, including rinsing and cup filling systems = easy cleaning, disinfection and sterilisation
- system of water supply can be equipped by system of drinking water prevention and continual disinfection, which is built under the cover of patient chair, this system satisfies EN 1717 (DVGW) standard
- automatic disinfection system of instruments tubes and water ways
- system of clean water = free choice of water supply for cup filling and instruments cooling (from bottle or from public water)

Assistant table

Assistant table equipped by simple foil keyboard or by touch screen enables to place 1 – 4 holders.

Control panels:

- control panel 1: cup filling and bowl rinsing
- control panel 2: cup filling, bowl rinsing + chair control
- control panel 3: cup filling, bowl rinsing, chair control, switching valve (public water/bottle), OP light switch on/off, 1 free function (activation of door ring, electronic door lock, etc.)
- touch screen panel: cup filling, bowl rinsing, chair control, switching valve (public water/bottle), OP light switch on/off, 1 free function (activation of door ring, electronic door lock, etc.)



Arms of assistant table

- pivoted arm
- extended pivoted arm
- height-adjustable arm (5 positions adjustable)
- extended height-adjustable arm

Applicable instruments and holders:

- 3 functional syringes Chirana and Luzzani
- 6- functional syringe with or without light Luzzani
- curing light Mectron
- intraoral camera Chirana
- big suction hose
- small suction hose

Chirana CHEESE



Chirana CHEESE E

EFFECTIVE solution for your practice! Efficiency, reliability, ergonomics.

Chirana CHEESE E treatment unit is an optimal and effective solution for your dental practice satisfying your desires.

Attractive design and a lot of useful parameters make from Chirana CHEESE E the most effective choice for you. This treatment unit can be equipped by comfortable patient chair SK1-08, or by slimmer version of patient chair SK1-01.







Chirony CHEESE E

Chirana CHEESE E



Dentist table

Chirana CHEESE E allows you to choose 2 versions of dentist table: 4N with possibility to place 1 – 4 dental instruments, or 6N with possibility to place 1–6 dental instruments. Both versions allow traditional system (hanging instruments tubes) and continental system (whips) with adjustable angle of holders/beds.

You can control the unit through foil keyboard with display or by chromatic touch screen.



Basic functions



- instruments cooling switch on/off
- regulation of instruments operating speed and power
- two switching modes of regulation (operating speed and power): manual or by foot control
- displaying of instruments operating speed and power
- CHIP-BLOWING function with adjustable volume independently for each instrument, automatic or manual control
- reverse of micromotors operating speed
- electronic controlled Giromatic function without need to use any special handpiece
- adjustment of torque of micromotor (on touch screen) with „Autostop“ function
- Apex-locator displaying on touch screen (in case of buying this option)
- instruments lighting switch on/off

- adjustment of length of light decay (up to 60 sec) after work completion with light instrument
- regulation of light intensity (for instruments)
- disinfection of instruments tubes switch on/off
- adjustment of time for cup filling and bowl rinsing
- operational light and x-ray viewer switch on/off
- control of chair including programming
- stopping of chair movement by „STOP“ button
- adjustable cooling water (quantity) separately for each instrument from control panel
- light and acoustic indication of necessity for instruments treatment (by lubrication)
- integrated non-return valves
- blocking of patient chair movement when dental instrument is activated
- optical sensors inside instruments holders for precise

- recognition of chosen instrument from the holder
- LED instruments applicable
- vertical fixation of dentist table by mechanical blocking screw, or by automatic brake – sensor in handle.

Applicable dental instruments:

- 3 and 6 – functional syringes – Chirana and Luzzani
- MIDWEST turbines (with light and without light)
- micromotors: with light, without light, brush-less - Chirana, Bien Air, NSK
- ultrasonic scalers - EMS, NSK, Chirana LM, Satelec
- curing light Mectron
- intraoral camera Chirana

Spittoon block

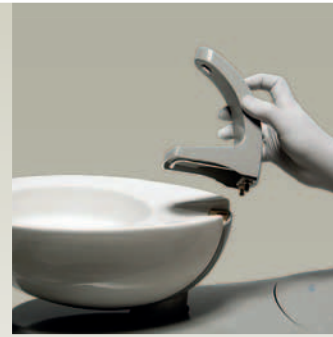
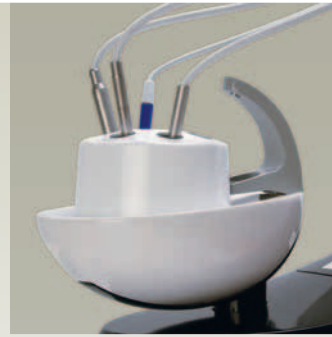
- pivoted ceramic bowl (towards to the patient)
- central suction system (dry and wet): ejector system, separative automatics Cattani and Dürr CS1 + (scavenging unit), amalgam separator Metasys Compact Dynamic and Dürr CAS1 + (scavenging unit), wet suction Dürr MSBV
- optionally equipment of spittoon block:
 - disinfection system for instruments tubes
 - clean water system (bottle of clean water)
 - switching valve for water supply - public water or bottle water
 - water heating



Hygiene

All parts of Chirana CHEESE E unit are designed considering demanding hygienic requirements for treatment unit including patient chair:

- detachable ceramic bowl, including rinsing and cup filling systems = easy cleaning, disinfection and sterilisation
- thermoisinfectable instrumets holders and beds from dentist and assistant tables
- automatic disinfection system of instruments tubes and water ways
- system of clean water = free choice of water supply for cup filling and instruments cooling (from bottle or from public water)



Assistant table

Assistant table with simple foil keyboard enables to place 1 – 4 holders:

- assistant table E: space for 1- 3 holders
- assistant table EASY placed on height-adjustable arm: space for 1 - 4 holders

Arms of assistant tables:

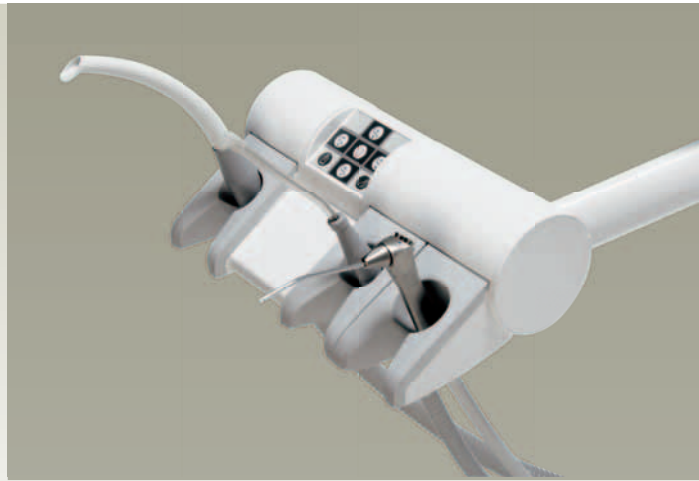
- fixed arm
- pivoted arm
- height-adjustable - 5 positions adjustable (applicable only with EASY assistant table)

Control panels:

- control panel 1: cup filling and bowl rinsing
- control panel 2: cup filling and bowl rinsing + chair control
- control panel EASY (only with EASY assistant table): cup filling and bowl rinsing , chair control, switching valve (public water/bottle), OP light switch on/off.

Applicable dental instruments and holders:

- 3 functional syringes Chirana and Luzzani
- curing light Mectron
- big suction hose
- small suction hose



Chirana CHEESE E



Chirana **CHEESE L**

OPTIMAL solution for you! Ergonomics, reliability, stability.

Chirana CHEESE L is a SIDE-LIFT concept with an attractive and graceful design. Stable and stabile construction enables comfort and ergonomics for your work.







Chirana CHEESE L

Chirana CHEESE L



Dentist table

Dentist table 5N enables to place 1 - 5 dental instruments, includes simple foil keyboard and X-ray viewer. Chirana CHEESE L allows traditional system (hanging instruments tubes) and continental system (whips).

Chirana CHEESE L can be equipped by cart dentist table with adjustable height 700 - 940 mm.

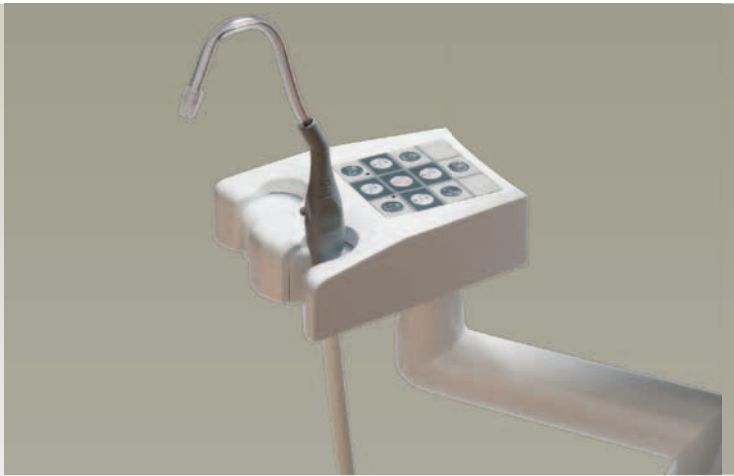
Basic functions:

- manual regulation of instruments operating speed and power
- two switching modes of regulation (operating speed and power): manual or by foot control
- programming function
- instruments cooling switch on/off
- reverse of micromotors operating speed
- automatical CHIP-BLOWING switch on/off
- instruments lighting switch on/off
- adjustable cooling water (quantity) separately for each instrument from control panel
- disinfection of instruments tubes
- displaying of instruments operating speed and power
- adjustment of time for cup filling and bowl rinsing, switch on/off
- operational light and x-ray viewer switch on/off
- control of patient chair
- stopping of chair movement by „STOP“ button
- Giromatic function
- all instruments, except syringe, have blocking of synchronous activation
- light and acoustic indication of necessity for instruments treatment (by lubrication)
- integrated non-return valves
- blocking of patient chair movement when dental instrument is activated
- vertical fixation of dentist table by mechanical blocking screw, or by automatic brake (sensor)
- LED instruments applicable

Applicable dental instruments:

- 3 and 6 - functional syringes Chirana and Luzzani
- MIDWEST turbines (with light and without light)
- micromotors: with light, without light, brush-less Chirana, Bien Air, NSK
- ultrasonic scalers EMS, NSK, Chirana LM, Satelec
- curing light Mectron
- intraoral camera Chirana





Assistant table

Assistant tables with simple foil keyboard enable place 1 - 4 holders:

- assistant table 2N: space for 1-2 holders
- assistant table 4N: space for 1-4 holders

Arms of assistant tables:

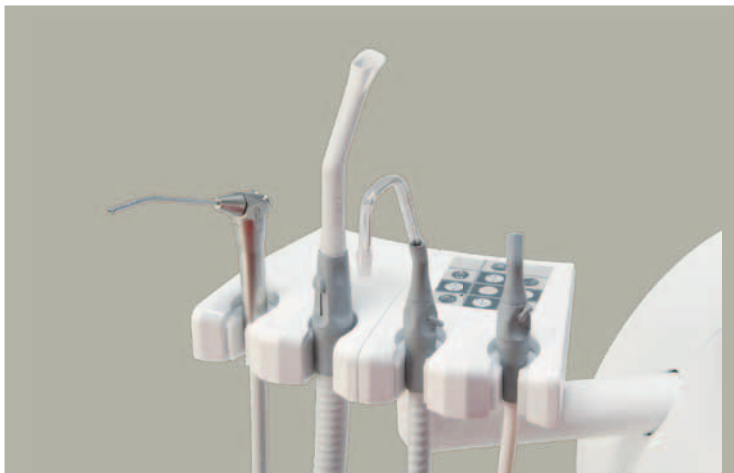
- pivoted arm
- extended pivoted arm
- height-adjustable arm - 5 positions adjustable

Assistant table controls:

- cup filling and bowl rinsing
- chair movements
- choice of water supply: switching valve (public water/bottle),
- OP light switch on/off

Applicable dental instruments:

- 3 functional syringes - Chirana and Luzzani
- curing light Mectron
- big suction hose
- small suction hose



Spittoon block

- pivoted ceramic bowl (towards to the patient)
- central suction system (dry and wet): ejector system, separative automatics Cattani and Dürr CS1 + (scavenging unit), amalgam separator Metasys Compact Dynamic and Dürr CAS1 + (scavenging unit), wet suction Dürr MSBV
- ptionaly equipment of spittoon block:
- disinfection system for instruments tubes
- clean water system (bottle of clean water)
- switching valve for water supply: public water or bottle water
- water heating

Hygiene

All parts of Chirana CHEESE L unit are designed considering demanding hygienic requirements for treatment unit including patient chair:

- detachable ceramic bowl, including rinsing and cup filling systems = easy cleaning, disinfection and sterilisation
- automatic disinfection system of instruments tubes and water ways
- system of clean water = free choice of water supply for cup filling and instruments cooling (from bottle or from public water)



Chirana CHEESE L





Tray table with swivelling or pantographic arm on column: with silicone/stainless plate, additional tray, handle, cup holder, small bottles holders.

Tray tables



Foot controls

foot control (regulation of MM speed and scaler power, CHIP-BLOWER function, cooling spray switch on/off)



multifunctional foot control/pedal, also in wireless version - control of dental unit (regulation of MM speed and scaler power, CHIP-BLOWER function, cooling spray switch on/off) + patient chair control



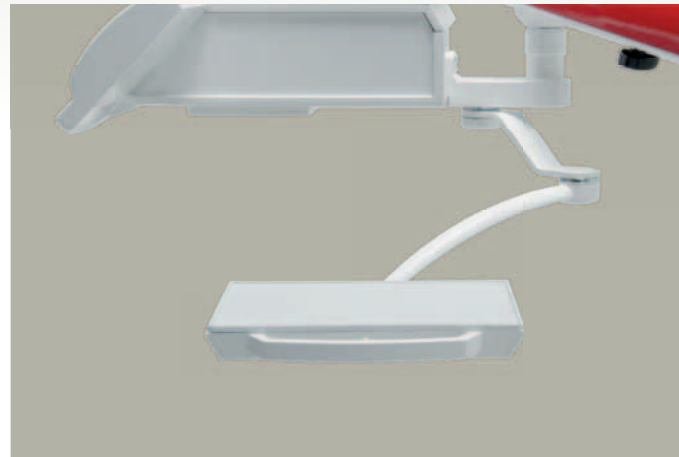
multifunctional foot control - control of dental unit (regulation of MM speed and scaler power, CHIP-BLOWER function, cooling spray switch on/off) + patient chair control



foot switch with cooling spray (instruments and cooling spray switch on/off, CHIP-BLOWER)



foot switch (only instruments switch on/off)



Tray table under dentist table (for swing arm): with silicone/stainless plate, additional tray, handle.

Operating lights

- FARO EDI
- FARO EDI with sesnsor
- FARO EDI with side handles
- FARO EDI with sesnsor and side handles
- FARO MAIA LED
- FARO ALYA LED
- FARO ALYA LED with sesnsor

Accessories

- Monitor arm
- TV Monitor Chirana 19" s DVD/USB
- intraoral camera Chirana



SK 1-01



SK 1-08



SK 1-08



Smile 3



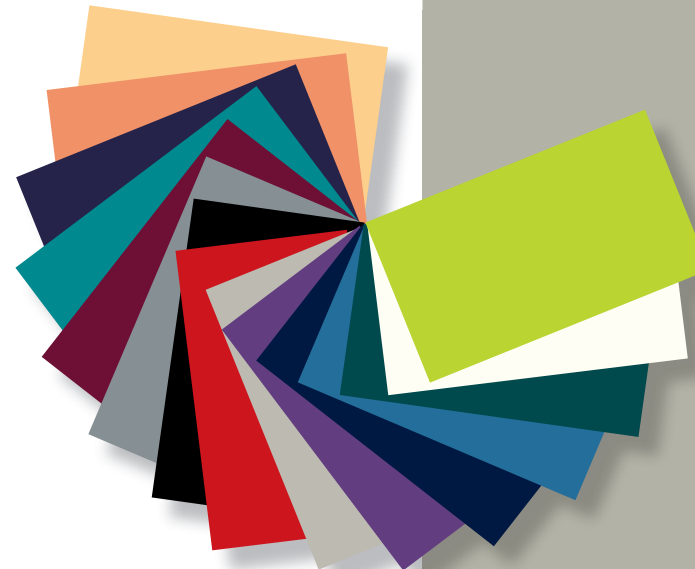
Smile 5



SK 1 - 08 with cushiony upholstery



Colours for SK 1-08



Colours for SK 1-01 and SK 1-08 with cushiony upholstery

Chirana CHEESE Colours

Chirana CHEESE units allow wide range of colour variants without any delivery delay. You can choose colour for any part of treatment unit and patient chair including upholsteries. Standard colour table enables to create more than 3 000 colour combinations.

For more demanding customers Chirana CHEESE offers also silver metallic color or multi-colour variant.