



SIGER

Zhuhai Siger Medical Equipment Co., Ltd

Add: Building 2, No.1 Chuangxin Yi Road,
Tangjawan Town, Zhuhai City,
Guangdong Province, P. R. China.
Tel: +86-756 3881060 Fax: +86-756 3881028
Zip Code: 519080
Website: www.viewdentmedical.com
E-mail: info@siger.cn

SIGER

V1000 / V2000 / V5000

Intelligent • Efficient • Reliable • Affordable



Intelligent • Efficient • Reliable • Affordable

V5000

- ⊕ Simulating control system
- ⊕ Intelligent simultaneous system
- ⊕ Touch control panel
- ⊕ Multifunctional foot pedal
- ⊕ Patient chair with inner-track design and Italian upholstery
- ⊕ Comprehensive protection mechanism

V2000

- ⊕ Simulating control system
- ⊕ Intelligent simultaneous system
- ⊕ Touch control panel
- ⊕ Multifunctional foot pedal
- ⊕ Patient chair with synchronized design
- ⊕ Comprehensive protection mechanism





Powerful Dentist Element

- Touch control panel.
- 5 sets of preset intelligent memory positions; only one button to control the chair position, operating light, cup filling and bowl rinsing.
- An inter-locking system for the dynamic instruments preventing the injury and improving working efficiency of dentists.
- Compatible with brush/ brushless micromotor and the speed of it can be adjusted.
- Photoelectric sensors switches controlling the on/off of all the dynamic instruments. (hanging version)

Professional treatment by four-hand operation

- Powerful touch control panel for assistant.
- Photoelectric sensor system controlling the on/off of all instruments.
- Delayed HV suction mechanism.
- Detachable suction tubes and handles for disinfection.

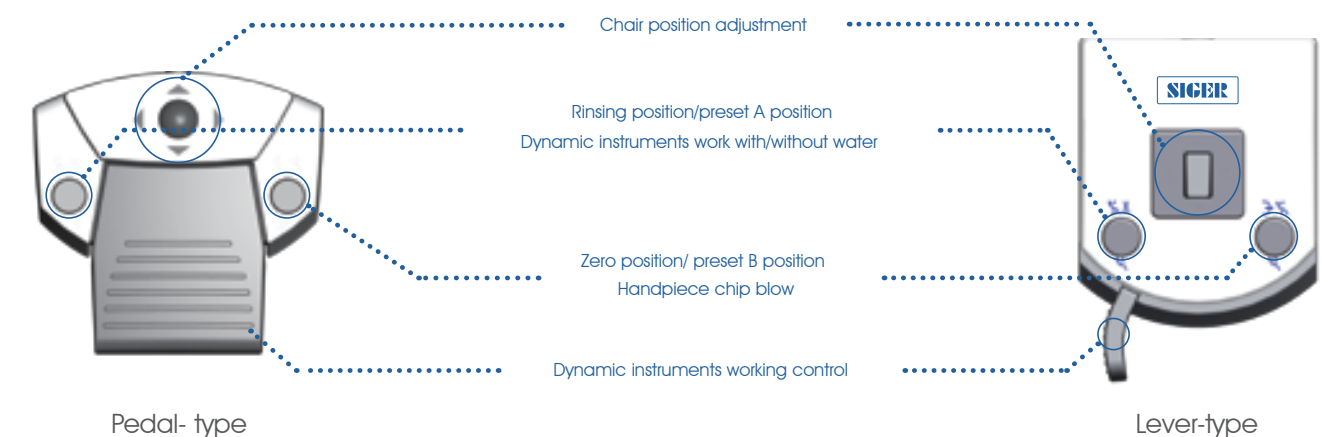
Operating light with sensor

- Unique optical design, ideal depth of focus by full overlay of light sources.
- Even-distributed light spot with clear and smooth edges.
- Similar to natural light with outstanding CRI.

Intelligent • Efficient • Reliable • Affordable

Multifunctional foot control

- Automatically access to preset chair position
- Automatically access to preset spittoon position
- Automatic ON/OFF of operating light
- Automatic spittoon rinse
- Automatic cup filling
- Intelligent return to the previous position
- Adjustable chair positions
- Dynamic instruments control



Patient chair with ergonomic design

- Ergonomically designed dental chair guarantees excellent movement compensation.
- The ultrathin aluminum backrest provides broad space for dentist's leg to support an ergonomic working posture.
- Unique anatomic backrest and dual-jointed headrest can fit with patients of different sizes.
- A safety cut-outs stops the patient chair and backrest from moving down in the presence of obstacles. The chair or backrest will move up a little bit to avoid unexpected harm.
- The new chair position memory system by angle sensor is more accurate and more reliable compared to traditional one by motors with memory function.
- The innovative inner-track design has overcome the "back rubbing" problem during the chair movement, which provides the patient the most comfortable treatment experience. (V5000)
- The original Italian leather makes a perfect combination of fashion and comfort. (V5000)

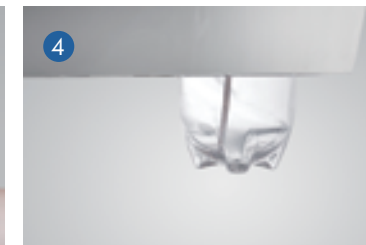


V5000 patient chair



V2000 patient chair

Unique hygienic design



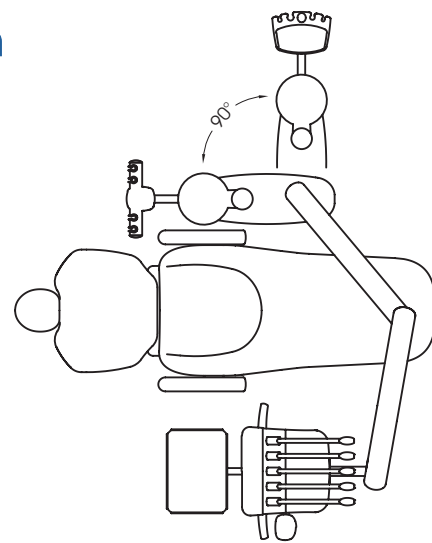
- 1 Autoclavable silicon pad of instrument table
- 2 Detachable ceramic spittoon for cleaning
- 3 Detachable suction system for cleaning
- 4 Distilled water / tap water switching system

Comfortable dentist/ assistant stool

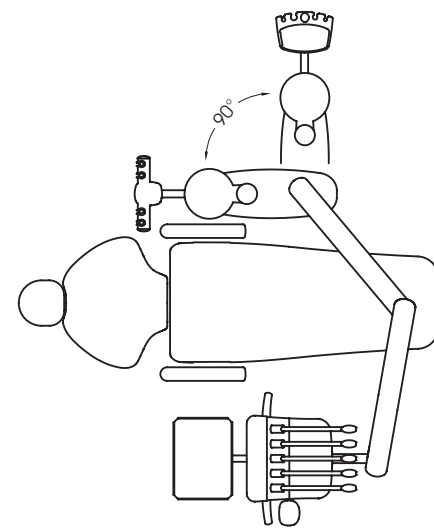
- The height of the seat and backrest of dentist stool and the tilt of backrest can be adjusted to meet with ergonomics.
- Assistant stool is optional.



Hydrogroup with 90° rotation



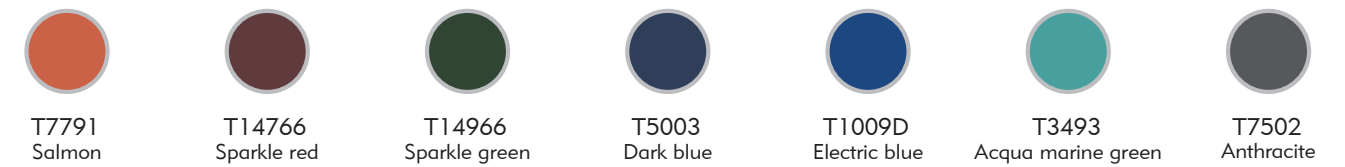
V5000



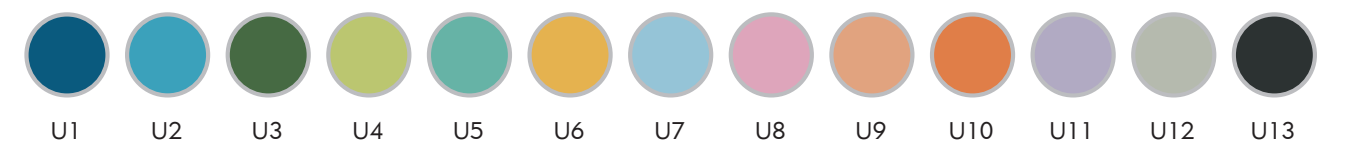
V2000

Intelligent • Efficient • Reliable • Affordable

V5000 upholstery color (come from Italy)



V2000 upholstery color

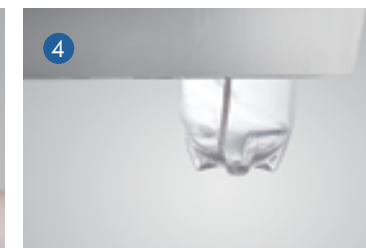




V1000

- + Hygienic & efficient system by intelligent linkage program and multi-functional foot control
- + Highly accurate chair memory by delicate sensor technology
- + Super-slim backrest with more relaxing space for dentist
- + Double-joint headrest for treatment of various patients
- + More space and easier maintenance by rotational hydro-group

Unique hygienic design

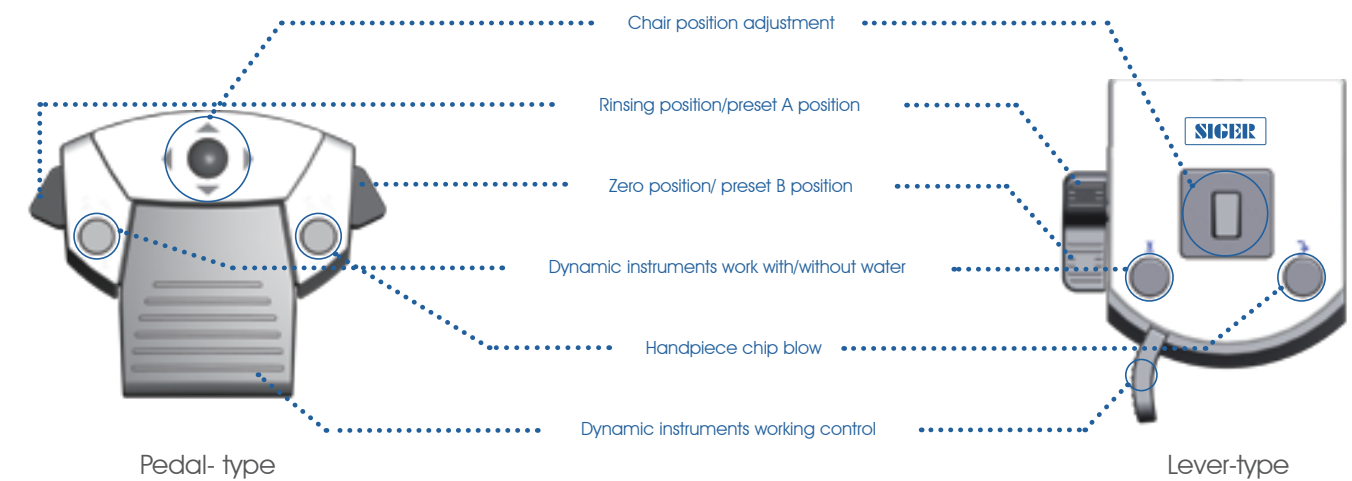


- 1 Autoclavable silicon pad of instrument table
- 2 Detachable ceramic spittoon for cleaning
- 3 Detachable suction system for cleaning
- 4 Distilled water / tap water switching system

Intelligent • Efficient • Reliable • Affordable

Multifunctional foot control

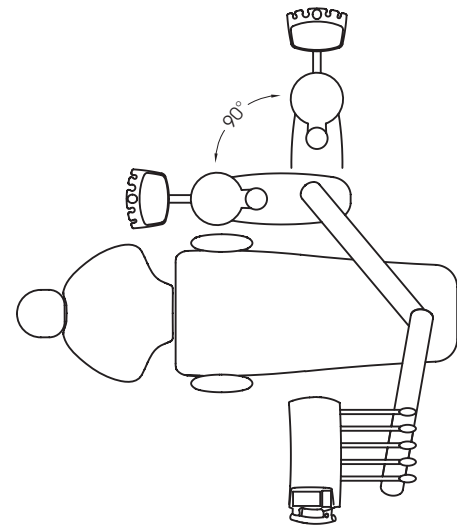
- Automatically access to preset chair position
- Automatically access to preset spittoon position
- Automatic ON/OFF of operating light
- Automatic spittoon rinse
- Automatic cup filling
- Intelligent return to the previous position
- Adjustable chair positions
- Dynamic instruments control



Intelligent • Efficient • Reliable • Affordable

Configuration of V5000/V2000/V1000

Hydrogroup with 90° rotation



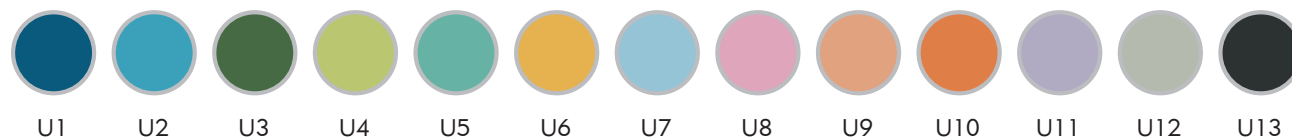
V1000

Comfortable dentist/ assistant stool

- The height of the seat and backrest of dentist stool and the tilt of backrest can be adjusted to meet with ergonomics.
- Assistant stool is optional.



V1000 upholstery color



Configuration	V5000	V2000	V1000
Pneumatic control system			+
Simulating control system	+	+	
Swing-type/ hanging-type dentist element	+	+	+
Built-in simultaneous control system	+	+	+
Touch control panel for dentist	+	+	
Button-type panel for dentist			+
Built-in intraoral X-ray film viewer (LED)	+	+	+
Two 4-holes tubings for turbine	+	+	+
One 4-holes tubing for air motor	+	+	+
One 3-way syringe for dentist	+	+	+
Touch control panel for assistant	+	+	
Button-type panel for assistant			+
One 3-way syringe for assistant	+	+	+
One hydraulic saliva ejector	+	+	+
One pneumatic HV suction	+	+	+
Balance arm with air lock system	+	+	+
Multifunctional foot-pedal with program memory	+	+	+
LED operating light	+	+	
Halogen operating light			+
Rotatable hydro-group	+	+	+
Rotatable/detachable hygienic ceramic spittoon	+	+	+
Distilled water system	+	+	+
Cup filling system with warm water	+	+	+
Patient chair with inner-track design	+		
Patient chair with synchronized function	+	+	
Safety protection for chair descending	+	+	+
Safety protection for backrest descending	+	+	
Denmark chair motor system (Linak)	+	+	
Italian upholstery	+		
Multifunctional headrest	+	+	+
Left armrest	+	+	+
Dentist stool	+	+	+