

Cone Beam 3D Imaging
NewTom
what's next



CEFLA s.c.
Via Selice Provinciale 23/a • 40026 Imola • Italy
t. +39 045 8202727 • 045 583500
info@newtom.it

newtom.it

05/2018 NGO2GB181500
According to the standards in force, in extra-EU areas the availability and specifications of some products and/or characteristics may vary. Please contact your local distributor for further information. Pictures are for illustration purpose only.

NEWTOM GO 2D GREAT.VISION

NEW PROSPECTS FOR THE 2D APPLICATION



Cone Beam 3D Imaging
NewTom
what's next

GO 2D GREAT.VISION

PRECISION 2D IMAGING WITH A USER-FRIENDLY, RELIABLE AND HIGH-PERFORMANCE DEVICE.

GO 2D stems from twenty years of experience and engineering know-how developed by NewTom, a pioneer in the application of Cone Beam technology in the field of dentistry. A device that offers unrivalled performance for dentists keen on strengthening their practice with the guaranteed quality of a product of excellence and technological innovation.

PRECISION 2D IMAGING.

GO 2D expands the diagnostic range with its perfect global view of teeth and exceptionally precise examinations.

User-friendly, innovative, reliable. GO 2D generates perfect panoramic views enhanced by high performance image acquisition and processing. Auto-adaptive filters and assisted positioning ensure excellent focusing in all conditions with ever clear and detailed images.

The low dose ECO Pan protocol and the exclusive SafeBeam™ system considerably limit exposure by automatically adapting the dose released, based on the patient's bone structure and diagnostic needs.

Installation is simple and rapid. GO 2D's ergonomic design and small dimensions make for a versatile, ready-to-use device.



QUALITY IMAGING

Accurate diagnosis and exceptional performance with special pre-set filters and optimal focusing in all conditions.



PATIENT HEALTH

Shorter exposure and emission times with ECO Pan protocol and patented SafeBeam™ technology.



INSTANT DIAGNOSIS

Guided positioning and ultra rapid scans ensure ever accurate examinations with one simple step.



RAPID INSTALLATION

Small size, rapid installation: GO 2D is instantly ready to generate high quality panoramic images.



OUTSTANDING PERFORMANCE AND ACCESSIBILITY.

GO 2D brings the diagnostic potential of 2D imaging to the dental practice.

Clear homogeneous images for high quality panoramic scans. GO 2D brings the essential diagnostic potential of 2D examinations to the dental practice. Install NewTom GO 2D in a few steps, and it is instantly ready to use. Swift display of diagnostic results allows to make the most of the time spent with a patient, and to define treatment and clinical developments.



GUARANTEED PERFORMANCE

Simple intuitive patient positioning and the use of advanced technologies together with NewTom's experience allow to achieve excellent results in all conditions and unrivalled image quality.

GO 2D is designed for comfort and exceptional ergonomics, which are crucial for superior diagnostic functions and operative benefits.

PERFECT POSITIONING

- Dual speed motor for precise and delicate height adjustment of the unit.
- Three laser lights provide all the correct anatomical references.
- Wide mirror opposite the patient for an overall view from all angles.
- Onboard power-assisted control with a keyboard or App for mobile devices.
- Drawer for accessories to easily access protective items.



MAXIMUM PATIENT STABILITY

- Head support unit with four contact points: self-locking lateral supports for the head, chin rest and bite.
- Solid metal handles for effective patient support.

2D NEWTOM - THE EPITOME OF QUALITY.

Unrivalled 2D examinations.

Cutting edge NewTom technology allows instant diagnoses and postoperative follow-up. Rapid acquisition of high quality images is decisive for functional and effective workflow.



SafeBeam™

GO 2D offers the exclusive SafeBeam™ technology that reduces the radiation dose by automatically adapting emission to suit the patient's anatomical characteristics. This efficient function avoids the need to manually enter exposure parameters. The dose administered to the patient is further reduced by rapid performance of scans in just 6.6 seconds.

MultiPAN

GO 2D implements the exclusive MultiPAN mode, a special function that generates a set of 5 X-ray images from a single scan; hence, the best panoramic view can be chosen for the diagnostic needs of the examination. This function is essential for the study of complex morphologies.



Self-adaptive PANORAMIC IMAGING

ApT filters allow totally automatic acquisition of clear, homogeneous, optimised panoramic images. GO 2D features wide dynamic focal trough for images that are always perfectly focused.

NNT: COMPLETE EFFICIENT SOFTWARE.

A unique application that is perfectly integrated into surgery workflows.

GO 2D is a device that operates within a networked environment and, as such, can be easily and intuitively controlled from a virtual control panel on the PC or through an App for iPad. The virtual console offers tools required to set the type of scan, view the acquired image in real time, enlarge it, rotate it and modify it by regulating brightness and contrast.



User-friendly, easy and efficient. NewTom's NNT software is ideal to process diagnostic images that can be displayed on the iPad viewer, saved in DICOM 3.0 format, shared with the TWAIN protocol or distributed with the viewing software. A unique application perfectly integrated into the workflow to process, manage and store 2D and 3D images.



GLOBAL VISION.

NNT software scan app and advanced functions.

A wide range of trajectories dedicated to perfect panoramic image acquisition for all diagnostic needs. By applying filters to enhance both contrast and contours, NNT software optimises images without requiring user interventions.

The specific scan only of the teeth offers maximum orthogonality for optimal vision of interproximal areas and an amazing standard of detail.

ADULT PANORAMIC IMAGING

Standard panoramic software perform complete scans of the arches, including the ascending branches of both jaw and condyles. A specific anatomical area can be scanned with shorter times and exposure. The MultiPAN function generates a set of images from which the user can choose the most suitable one.



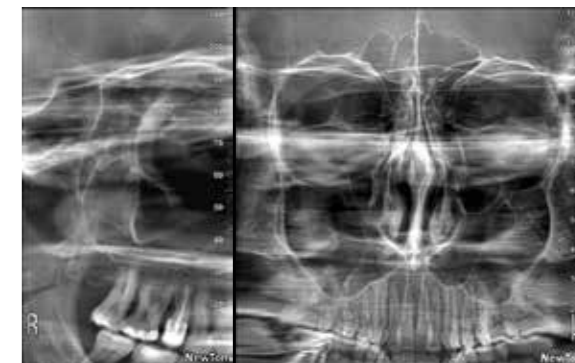
CHILD PANORAMIC IMAGING

The protocol for paediatric examinations automatically reduces exposure parameters and acquisition time. Hence, the radiation dose and the exposed area are smaller than those in the protocol for adult patients.



MAXILLARY SINUSES

A dedicated holder is designed for maxillary sinus examinations, both with antero-posterior (AP) and latero-lateral (LL) projections. The focusing is optimised for clear and detailed images.



TEMPOROMANDIBULAR JOINT

The software to study ATMs generates, with a single scan, four projections of the joints: two lateral and two postero-anterior. The examination can be performed with the patient's mouth either closed or open.



BITEWING

Optimised collimated interproximal projection with a low dose to study dental crowns. An alternative to intraoral bitewings, with a less invasive and more comfortable procedure.



DENTITION

Views of the teeth can be segmented by limiting exposure only to the frontal, right lateral or left lateral area. Projections include better orthogonality to improve the view of interproximal dental structures with low doses.



TECHNICAL SPECIFICATIONS.

2D IMAGES

Type	PAN: adult (standard and echo), child*, dentition*, bitewings* SIN: PA and LL maxillary sinuses (right and left) TMJ: Temporomandibular joint (2 x LL + 2 x PA) with mouth open and closed
Patient alignment	3 laser guides
Sensor technology	CMOS (CSI)
Size	PAN standard 15 cm x 28 cm
Image file size	Max 7.5 MB
Image resolution	5 - 7 Lp/mm
Dynamic range	14 bit (16383 grey levels)
Magnification	1.25 (± 0,05)
Exposure time	PAN 6.6 - 12 s
Typical effective dose (ICRP 103)	PAN: 5 - 9 µSv

*Optional vertical collimation.

X-RAY GENERATOR

Generator type	Constant potential (DC)
Anode voltage	60 kV – 85 kV (1kV step)
Anode current	4 mA - 15 mA
Focal spot	0.5 mm (IEC 60336)
Inherent filtration	> 2.5 mm Al eq. (at 85 kV)
Exposure Control	Automatic. SafeBeam™ Technology

POWER SUPPLY

Voltage Frequency	115 - 240 Vac, ± 10% single-phase 50 / 60 Hz ± 2 Hz
Maximum absorbed surge current	20A at 115V; 12A at 240V
Current absorption in standby mode	1A at 115V; 0.5A at 240V
Notes	Automatic adaptation for voltage and frequency

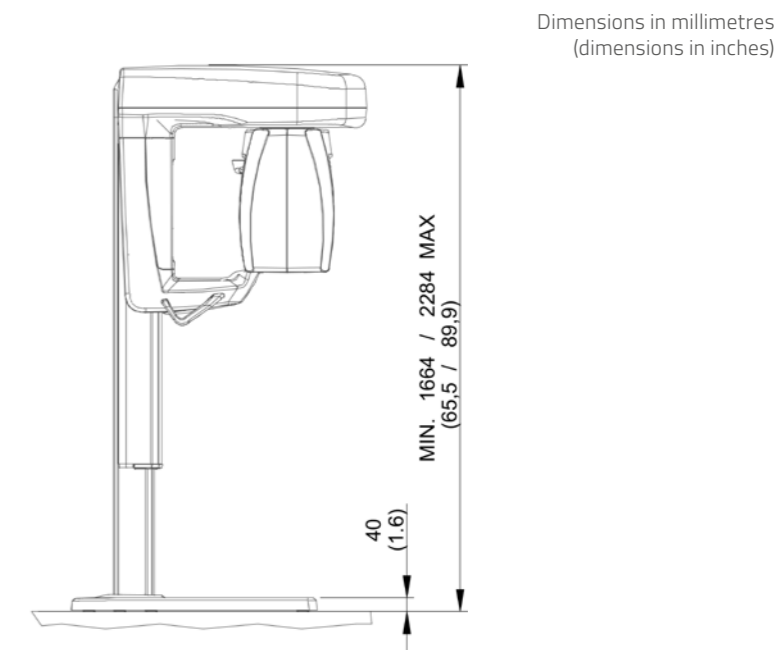
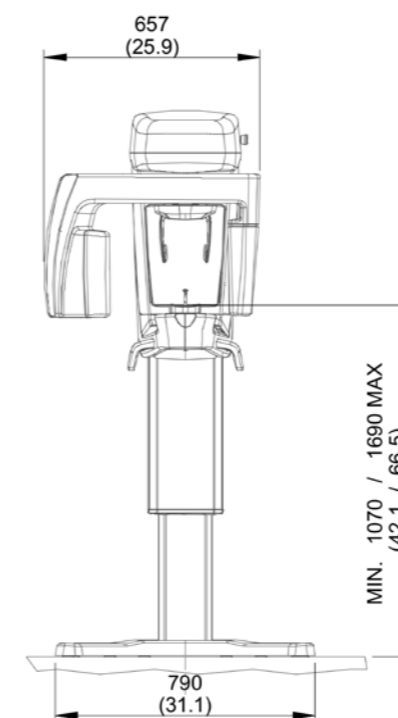
DIMENSIONS

Minimum available work space requirement	872 mm (L) x 1025 mm (D) 872 mm (L) x 1101 mm (P) with self-standing base
Weight	84 kg (185 lb)
Adjustable height	2-speed motor
Notes	Accessible for patients on wheelchair Available self-standing base

CONNECTIVITY

Connections	LAN / Ethernet
Software	NewTom NNT
Supported protocols	DICOM 3.0, TWAIN, VDDS
DICOM nodes	IHE compliant (Print; Storage Commitment; WorkList MPPS; Query Retrieve)
App	Compatibility with iPad and iPhone

Specifications subject to change without prior notice.



Dimensions in millimetres
(dimensions in inches)

