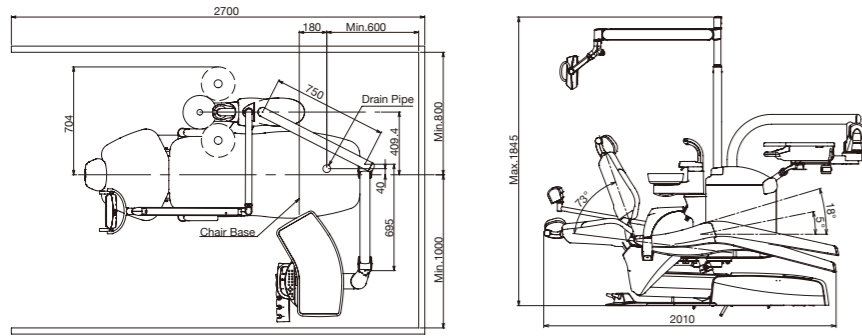


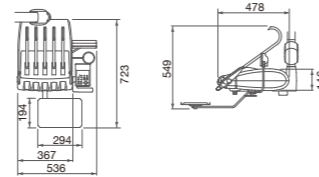
# Dimensions

size(mm)

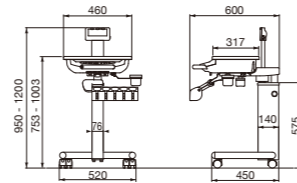
## ■ Chair Mount -EURUS TYPE-



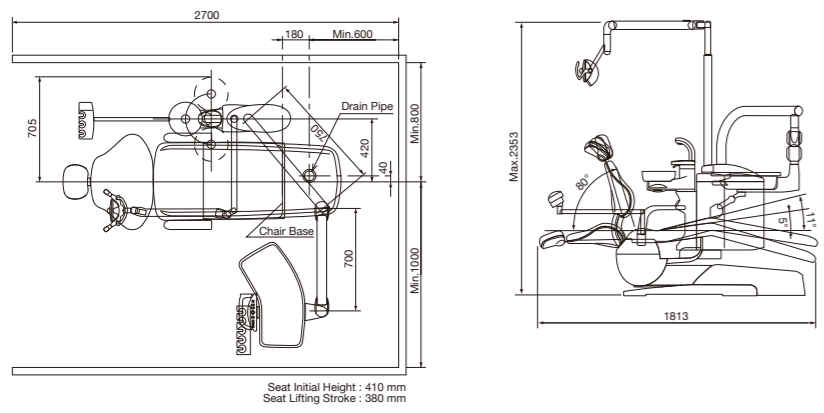
## ■ Rod Type



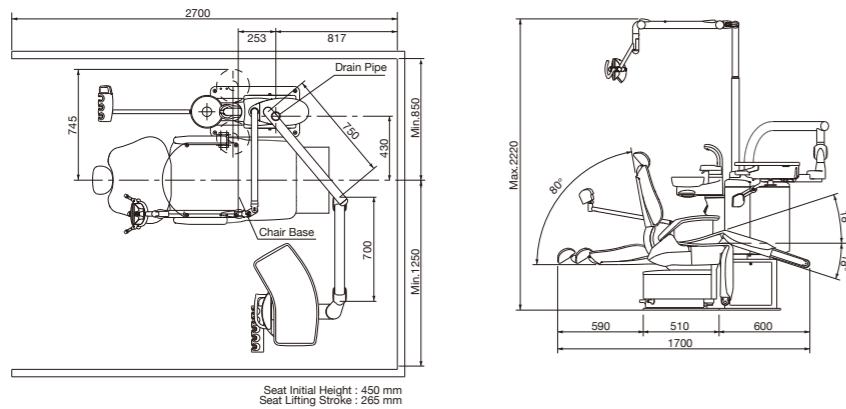
## ■ Cart Type



## ■ Chair Mount -original-



## ■ Pedestal -CLAIR-



- Names of Components  
 Dental Unit : CLESTA II  
 : CELEB  
 Dental Chair : CLESTA II CHAIR  
 : CELEB CHAIR  
 : CLESTA II CHAIR (EURUS TYPE)  
 : CELEB CHAIR (EURUS TYPE)  
 : CLAIR CHAIR  
 Dental Light : EURUS LIGHT  
 : 900 DENTAL LIGHT TYPE 920  
 : 900 DENTAL LIGHT TYPE AL-920  
 : 300LED DENTAL LIGHT TYPE 320S  
 : DENTAL LIGHT MODEL 720S

# CLESTA II



# Variations - to suit your requirements



## Chair Mount -EURUS TYPE-

Over the Patient

Traditional over the patient type unit offers versatile, balanced and precise delivery systems providing total working comfort between the 9 and 1 o'clock positions. The improved comfort of EURUS chair is an ideal base on which to build your dental system.

Shown as  
-Unit : CLESTA II  
-Chair : CLESTA II CHAIR (EURUS TYPE)  
-Light : EURUS LIGHT

## Chair Mount -original-

Cart

The split cart type, with a steel formed height-adjustable 'U' frame, offers space-saving qualities and additional flexibility.

4.5m or 6m cart hose available as an optional extra.

Shown as  
-Unit : CLESTA II  
-Chair : CLESTA II CHAIR



## Details

○ Selectable | - Not available

Chair	Doctor unit		Cuspidor unit	
	Over the Patient	Cart	Chair Mount	Pedestal
EURUS TYPE	○	-	○	-
original	○	○	○	-
CLAIR	○	○	-	○



## Chair Mount -original-

Over the Patient

Over-patient versatility for comfortable single- and four-handed working positions. Ergonomic and hygienic features are standard on all CLESTA II treatment centres.

Shown as  
-Unit : CLESTA II  
-Chair : CLESTA II CHAIR  
-Light : 900 LED LIGHT

## Pedestal -CLAIR-

Over the Patient

Cart

Pedestal type cuspidor unit has no umbilical; this eliminates the need for a utility box, contributing to a tidier appearance and easier cleaning.



Utility box for pedestal type



Pedestal type / Cart

Shown as  
-Unit : CLESTA II  
-Chair : CLAIR CHAIR



## Smooth and Contoured - provides patient's comfort

### ■ Chair Mount -EURUS TYPE-



Unique low patient entry seat position along with a 200 kg patient lifting capability is one of the most versatile chairs in the market place.



#### Double articulating headrest

The precise positioning of the headrest can be set in 7.5 degree increments accommodating a wide range of patient types. The height adjustment for taller patients can be easily positioned with very little effort from the operator.



#### Rotating armrest

The armrests are designed with a length and shape that makes it easy for patients to hold and the side-rotating mechanism helps elderly patients mount and dismount the chair with ease.



#### Chair stick switch

The dental chair can be entirely manipulated in a hands-free, hygienic and intuitive manner using only the operator's foot ( patent pending ).

### ■ Chair Mount -original-



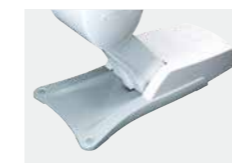
#### Adjustable chair positioning

A wider range of movements offers a practical working environment that meets all the operators' requirements.



#### Axis backrest

Synchronized axis backrest ensures optimum patient comfort at all times. Ultra slim backrest for ease of access for both operator and assistant.



#### Durable diecast base

The sleek styling of the durable aluminum diecast base offers the dentist improved access with maximum chair stability.



#### Service centre

The built in service centre eliminates the use of external umbilical hoses.

### ■ Pedestal -CLAIR-



#### Folding legrest chair

Slim, yet comfortable backrest and chair enable easy access to the patients.



#### Armrest

Swing-out armrest allows the elderly, handicapped, and wheelchair patients to enter and exit the chair safely and with ease.



#### Axis backrest

The ergonomic, axis mechanism backrest supports the patient comfortably and accommodates the natural movements of the patient's body.



#### Chair stick switch

The stick switches enable the operator to position the patient quickly and accurately, keeping hands-free and clean.

# Intuitive Control - technology you can rely on

## E Type Electric Type Control Panel



- |                               |                                       |                                  |                        |
|-------------------------------|---------------------------------------|----------------------------------|------------------------|
| 1 Power Indicator             | 5 Micromotor Speed Setting Switch     | 9 Decreasing Switch              | 13 Cupfiller Switch    |
| 2 Safety Lock Indicator       | 6 Micromotor Direction Control Switch | 10 Increasing Switch             | 14 Bowl Flush Switch   |
| 3 Coolant Water ON/OFF Switch | 7 Function Switch                     | 11 Chair Auto Mode Switches      | 15 Dental Light Switch |
| 4 Light Pack Switch           | 8 Store Switch                        | 12 Chair Manual Control Switches | 16 Function Indicator  |

## Function Switch ( E Type )

- |   |  |  |  |
|---|--|--|--|
| <b>TIMER SET</b><br>4=START                 | <b>Timer</b><br>Timer set for alarm.   | <b>ALARM TYPE=0 F=↓</b><br>PUSH 0 1 2 LP (3) | <b>Electronic sound for timer</b><br>4 electronic timer sounds to choose from.   |
| <b>Dr. NUMBER =0 ↓</b>                      | <b>Group selection mode</b><br>Preset position for chair and preset rotation speed for micromotor can be set for 4 individual dentist. | <b>M.LMT=3 STEP F=↓</b><br>(-)=3 (+)=5 STEP  | <b>Micromotor maximum speed setting (optional)</b><br>The maximum rotation speed of the micromotor can be selected in 3 steps or 5 steps.        |
| <b>FLUSH OUT F=↓</b><br>WITHOUT             | <b>Flushing system</b><br>The E type is available with a short and long time flushing system.  | <b>SPRAY=4MODE F=↓</b><br>(-)=2 (+)=4 MODE   | <b>Coolant water ON / OFF switch</b><br>When using micromotor(s), either 2-mode or 4-mode of coolant water can be selected by mode select setup. |
| <b>Beep=ON F=↓</b><br>(-)=OFF (+)=ON        | <b>Control panel switching sound ON / OFF</b><br>Sound can be deactivated.   | <b>B*%=LINK F=E</b><br>(-)=IND (+)=LINK      | <b>Cupfiller and bowl flush</b><br>Select cupfiller and bowl flush to operate together or independently.   |
| <b>LP.MODE=HOLD F=↓</b><br>(-)=FOOT(+)=HOLD | <b>Fiber optic handpiece lighting mode (optional)</b><br>Handpiece lighting mode can be chosen.  |  |  |

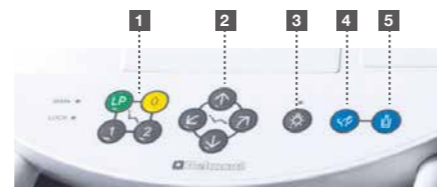
## Digital Indicator ( E Type )

- |                                 |  |                                |   |
|---------------------------------|--|--------------------------------|---|
| <b>No1 SET1 100</b><br>10000rpm | <b>Micromotor mode</b><br>The micromotor rotation speed can be selected by sliding the foot controller pedal right or left. Rotation speed is displayed. | <b>No4 SCALING</b><br>■■■■■■■■ | <b>Scaler mode</b><br>Easy to confirm which mode of scaling has been selected (scaling, end, perio). Power output is displayed. |
|---------------------------------|--|--------------------------------|---|

## A Type Air Type Control Panel

Membrane switches for chair controls and other necessary functions are clearly situated on the control panel of the operator's table.

- |                                 |                     |
|---------------------------------|---------------------|
| 1 Chair Auto Mode Switches      | 4 Bowl Flush Switch |
| 2 Chair Manual Control Switches | 5 Cupfiller Switch  |
| 3 Light Pack Switch             |                     |





## Unit



### Integrated cuspidor

The highly durable integrated cuspidor creates an attractive, aseptic environment for the patient and the smooth surface makes it easy to clean. Detachable glass bowl is durable, transparent and easy to clean.



### Operator's table

\*available for E-type only

Incorporating holder type instrumentation with "first priority system", the operator's table is adjustable both vertically and horizontally to give optimal positioning.



### Assistant's console

The assistant's console includes 3-way syringe, vacuum and saliva ejector tubings, and easy clean membrane switches to control chair movements, cuspidor bowl flush and cupfiller.



### Foot control

A2(control of air instruments, water on/off and chip air) for A type. SE(control of air instruments, water on/off, chip air and control of electric motor/scaler) for E type. Foot controller with handle is available as an option.

## Light



### EURUS LIGHT

The EURUS LIGHT provides sensor activation, stepless intensity between 3,000 lx and 28,000 lx, reproduces natural light with a high functional color rendering capacity.



### 900 LED LIGHT

The 900 LED light provides sensor activation, stepless intensity between 4000 lx and 35500 lx, fluid three axis rotation and clear light pattern with high color rendering.



### 300 LED LIGHT

The 300 LED light provides sensor activation, stepless intensity between 3100 lx and 28000 lx, three axis rotation and clear light pattern.

## Instrument Delivery

### Holder



A Type

E Type

### Place



E Type

### Rod



With optional left side control panel for E type



A Type



E Type

### Variation

Air and electric options across the comprehensive range of delivery systems mean that any practice or hospital can fulfill its exact requirements.

Doctor unit	Holder	Place	Rod
Over the Patient	A-E	E	A-E
Cart	A-E	E	-

A=Air Type E=Electric Type

# Options & Accessories



Panorama size Film viewer



Dental size Film viewer



Flat screen monitor bracket (not including monitor)



Ratchet gear type assistant holder arm



Flush out tray

## CLESTA II Options & Accessories

● Standard | ○ Selectable | - Not available

Chair	Chair Mount (EURUS TYPE)	Chair Mount (original)	Pedestal
Double articulating headrest	●	○	○
Power headrest	-	-	○
Armrest at left side only (fixed)	-	●	-
Armrest at both side, left side fixed & right side rotated	●	○	●
8-way foot switch (manual/auto)	-	●	-
Integrated stick switch (2 controls, manual & auto mode chair switch)	○	-	-
Integrated stick switch (3 controls, manual & auto mode chair switch & power headrest)	-	-	○

Dentist Element	Air type	Electric type
Membrane switch (chair auto/manual, cupfiller, bowlflush, handpiece light)	●	-
Membrane switch (chair auto/manual, cupfiller, bowlflush, handpiece light, handpiece, extra [dental light])	-	●
Large operator's table with silicon mat	●	●
Small size operator's table with silicon mat	○	○
Foot controller A2	●	-
Foot controller SE	-	●
Combined foot controller	○	○
3-way syringe	○	○
6-way syringe	-	○
Midwest 4-way turbine hose	○	○
Electric micromotor	○	○
Electric scaler	○	○

Assistant Element	
Standard type assistant arm	○
Ratchet gear type assistant arm	○
3-way syringe	○
Curing light	○

Unit Body	
Electric timed cupfiller & bowl flush	○
Sensored cupfiller & bowl flush	○
Rotating cuspidor bowl	○
Colored glass cuspidor bowl (blue, green, pink)/ white porcelain	○
Water heater	○
Water disinfection system	○
Clean water system	○
Separator	○
Flushing system with flushing tray	○
Monitor bracket	○
Separated junction box	○

Light	
EURUS LIGHT	○
900 LED LIGHT	○
300 LED LIGHT	○
701 DENTAL LIGHT	○

# Color Variations

## EURUS TYPE [ Seam & Seamless ]



Seam [ Sky Blue ]



Seamless [ Sky Blue ]

Warm Color						
Cool Color						
Earth Color						
Vitamin Color						

## CLAIR / original [ Seamless ]



Seamless -original- [ Mandarin Orange ]

Warm Color						
Cool Color						
Earth Color						
Vitamin Color						

## EURUS TYPE [ Luxury ]



Luxury [ Maroon ]


## CLAIR / original [ Luxury ]



Luxury -original- [ Dark Blue ]
